

AC 106

Self Contained Ice Machine up to 50 kg

Item #:
Project:
Quantity:



FEATURES

- Produces individual Gourmet crystal clear ice cubes.
- Resistant stainless steel exterior.
- Simple and reliable electromechanic controls.
- Front panel in and out airflow (air-cooled model only) for built-in installation.
- Easily accessible front panel mount ON-OFF Switch.
- Routine Maintenance visible alarm light on front panel.
- Ergonomically designed ice-storage access, with disappearing door.
- Door-closing movement dampening system.



AC L 106
Large Gourmet 39 g
Ø 38 x H 41 mm



AC M 106
Medium Gourmet 20 g
Ø 30 x H 34 mm

CONDENSING SYSTEM

Air cooled
Water cooled

INTERNAL BIN CAPACITY

23 kg

REFRIGERANT GAS

R134a

OPERATING REQUIREMENTS

	Minimum	Maximum
Air temperature	10°C	43°C
Water temperature	5°C	38°C
Water pressure	1 bar (14 psi)	5 bar (70 psi)
Electrical voltage	-10%	+10%

Certifications:



IMPORTANT NOTICE:
Models and specifications are subject to change without notice. This spec sheet is meant for commercial purpose only. For technical documentation please refer to our service manuals.

Download our free App Scotsman Ice
Apple store
Google play
Windows store



www.scotsman-ice.it
www.scotsman-ice.com

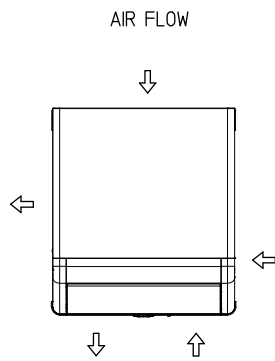
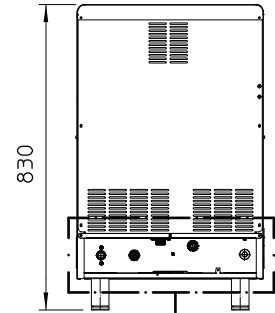
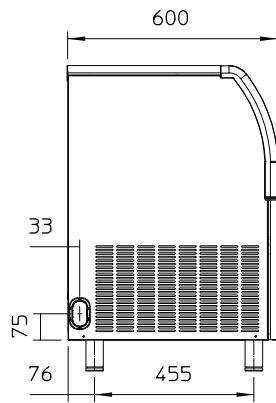
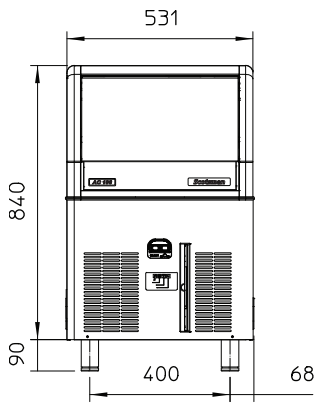
Self Contained Ice Machine up to 50 kg

AC 106

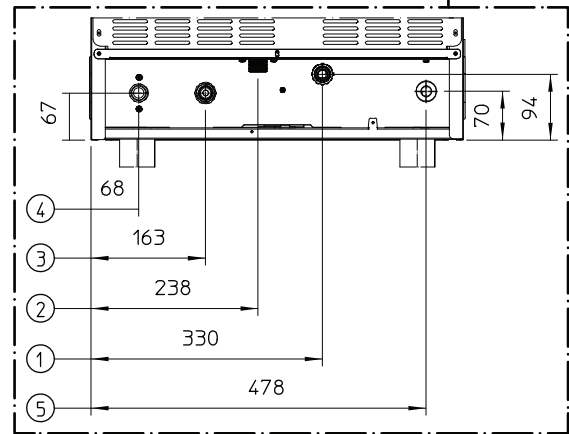
Self Contained Ice Machine up to 50 kg

Item #:
Project:
Quantity:

Self Contained Ice Machine up to 50 kg



- UNIT OF MEASUREMENT: mm
- 25/32" OD - OVERFLOW DRAIN
 - 3/4" GAS - WATER INLET
 - 3/4" GAS - WATER OUTLET
WATER COOLED UNIT ONLY
 - 3/4" GAS - WATER INLET
WATER COOLED UNIT ONLY
 - CORD SET



UNIT DATA				Compressor		Circuit wires		Max. fuse size	
		Version	Voltage	Btu/h	W	No.	Ømm ²	A	
Size (W x D x H)	531 x 600 x 930 mm	AC L 106 AS	230/50/1	4095	1200	3	1.5	10	
Net weight	47 kg	AC L 106 WS	230/50/1	4095	1200	3	1.5	10	
SHIPPING DATA		AC M 106 AS	230/50/1	4436	1300	3	1.5	10	
		AC M 106 WS	230/50/1	4436	1300	3	1.5	10	
Carton (W x D x H)	600 x 670 x 950 mm	AC L 106 AS	230/60/1	4777	1400	3	1.5	10	
Weight	54 kg	AC M 106 AS	230/60/1	5221	1530	3	1.5	10	
		AC M 106 WS	230/60/1	5221	1530	3	1.5	10	

Version	Condensation	Voltage	24 h ice production kg °C Amb. / °C Water			Energy consumption*		Water usage*	Instant power W
			10°C/10°C	21°C/10°C	32°C/21°C	kWh/100 kg	kWh/24h		
AC L 106 AS	Air	230/50/1	50	48	38	26.7	10.9	4.2	550
AC L 106 WS	Water	230/50/1	50	48	41	26.7	10.9	53.3	550
AC M 106 AS	Air	230/50/1	50	48	38	26.8	10.2	6.0	580
AC M 106 WS	Water	230/50/1	50	48	41	24.4	10.0	53.3	580
AC L 106 AS	Air	230/60/1	50	48	38	28.0	12.6	4.7	620
AC M 106 AS	Air	230/60/1	50	48	38	33.7	12.8	5.8	700
AC M 106 WS	Water	230/60/1	50	48	41	33.7	12.8	53.3	700

(*) Data refer to 32°C Amb. / 21°C Water temperature conditions